



Laser Accessories Datasheet
*Mounting Clamps, Brackets, Power Supplies &
Tubular Mounting System*

Mounting Clamps



Heavy Duty Mounting Clamps (HDC)

The heavy duty mounting clamp allows our range of 7 to 25mm diameter lasers to be adjusted and securely fixed at any required direction or angle. The base plate has a series of threaded holes which enables the clamp to be fixed directly onto a machine or workbench.



Magnetic Base

The magnetic base is an accessory which allows the heavy duty mounting clamp to be magnetically attached to a ferrous surface, negating the need for any mounting holes.



MK1 Mounting Clamp

Fits the smaller, lighter laser products with diameters of 11-14 mm. It rotates on a ball joint allowing 360° rotation and 180° tilt.



Swivel Mount

Suitable for 11, 14 and 15mm diameter lasers. It provides the user with up and down tilt movement as well as $\pm 45^\circ$ swivel. The base plate has a series of holes which allows the clamp to be fixed directly onto a machine or workbench.



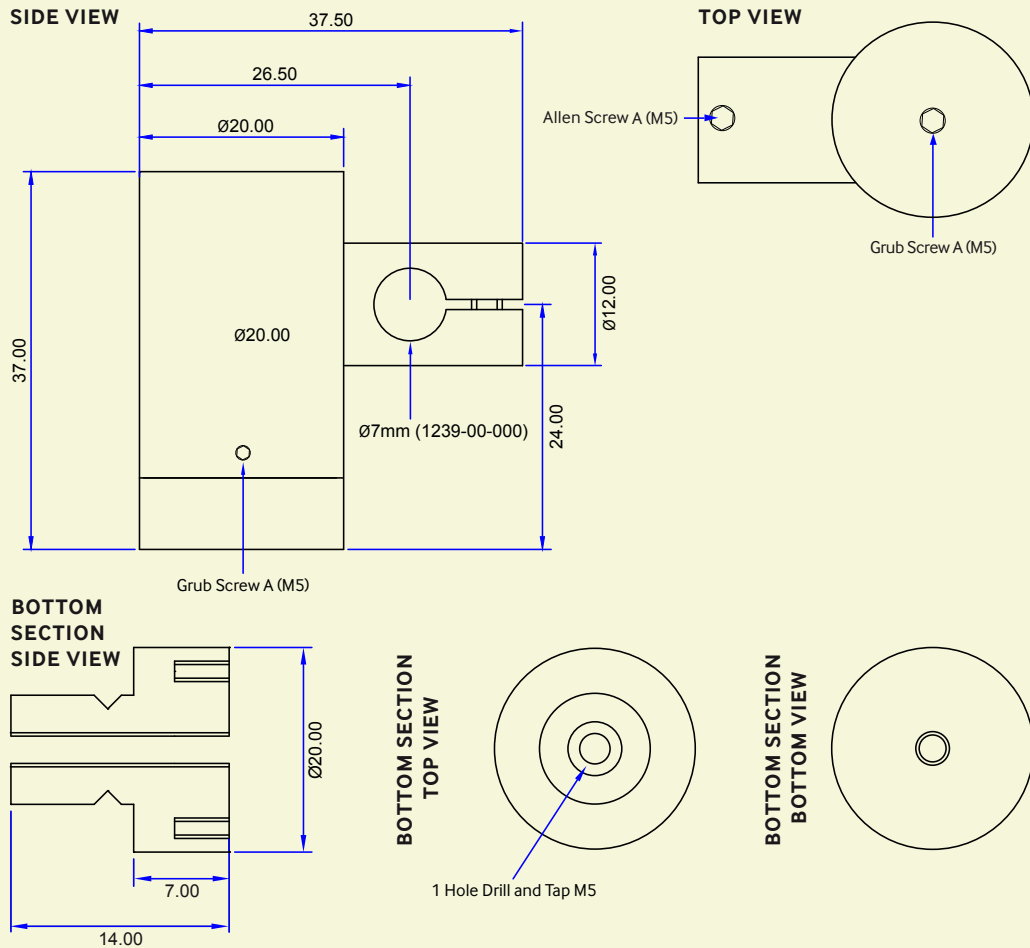
Pillow Block Bearing Mount

The Pillow Block Bearing Mount contains a spherical rolling element that serves as a rotational bearing. You can quickly and easily adjust the direction of your laser module in one smooth movement without the need for an Allen key. The bearing also provides enough friction to keep the pointing direction stable. Suitable for 11-19mm diameter laser.

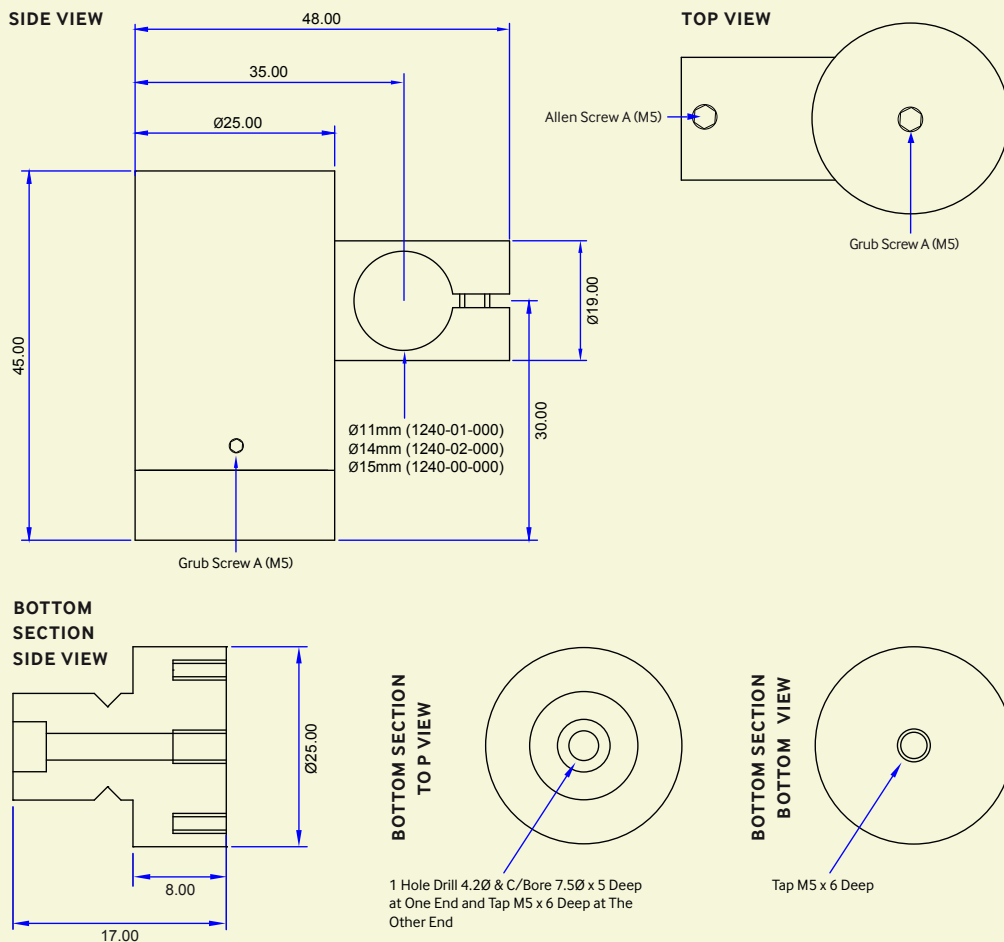
Mounts Overview

LDM150 (7MM Ø)	●																									
LASERLYTE-FLEX (11MM Ø)		●							●						●											
LDM125 (11MM Ø)		●							●						●											
LCG115 (11MM Ø)		●							●						●											
LDM115 (11MM Ø)		●							●						●											
LLM115 (11MM Ø)		●							●						●											
VM (11MM Ø)		●							●						●											
LASERLYTE (14MM Ø)			●						●		●															
ACCULASE (15MM Ø)				●							●															
BETA TX (15MM Ø)				●							●															
BLUELYTE (15MM Ø)				●							●															
FIBERLYTE (15MM Ø)				●							●															
HAWKEYE (15MM Ø)				●							●	●													●	
PREMIER (15MM Ø)				●							●															
SURVELASE (15MM Ø)				●							●															
SYNCHRONOUS (15MM Ø)				●							●	●													●	
VARILITE (15MM Ø)				●							●	●													●	
LDM145 (16MM Ø)					●																				●	
FIREFLY (17MM Ø)						●																			●	
GREENLYTE (17MM Ø)						●																			●	
SURVELASE MAXI (17MM Ø)						●																			●	
GUIDELINE (19MM Ø)							●																		●	
GUIDELINE 2 (19MM Ø)								●																	●	
GREEN-MV-EXCEL (19MM Ø)							●																		●	
LYTE-MV (19MM Ø)							●																		●	
LYTE MV 2 (19MM Ø)								●																	●	
LYTE-MV-EXCEL (19MM Ø)							●																		●	
IP68 HOUSING (25MM Ø)									●																	
LDL175 (25MM Ø)									●																	
SURVELASE MEGA (25MM Ø)									●																	
CAMEO (M12)													●												●	
	HDC (7mm Ø) (1239-00-000)	HDC (11mm Ø) (1240-01-000)	HDC (14mm Ø) (1240-02-000)	HDC (15mm Ø) (1240-00-000)	HDC (16mm Ø) (1230-10-000)	HDC (17mm Ø) (1230-00-000)	HDC (19mm Ø) (1230-01-000)	Threaded HDC (19mm Ø) (1230-08-000)	HDC (25mm Ø) (1230-02-000)	MK1 Mounting Clamp (11mm Ø) (5000-50-000)	MK1 Mounting Clamp (14mm Ø) (5000-26-000)	Swivel Mount (11mm Ø) (1200-03-000)	Swivel Mount (14mm Ø) (1200-04-000)	Swivel Mount (15mm Ø) (1200-00-000)	Swivel Mount (M12) (1200-06-000)	Pillow Block Bearing Mount (11mm Ø) (1237-00-000)	Pillow Block Bearing Mount (14mm Ø) (1237-01-000)	Pillow Block Bearing Mount (15mm Ø) (1237-02-000)	Pillow Block Bearing Mount (16mm Ø) (1237-03-000)	Pillow Block Bearing Mount (17mm Ø) (1237-04-000)	Pillow Block Bearing Mount (19mm Ø) (1237-05-000)	Pillow Block Bearing Mount (M12) (1237-06-000)	Pillow Block Bearing Mount (M18) (1237-07-000)			

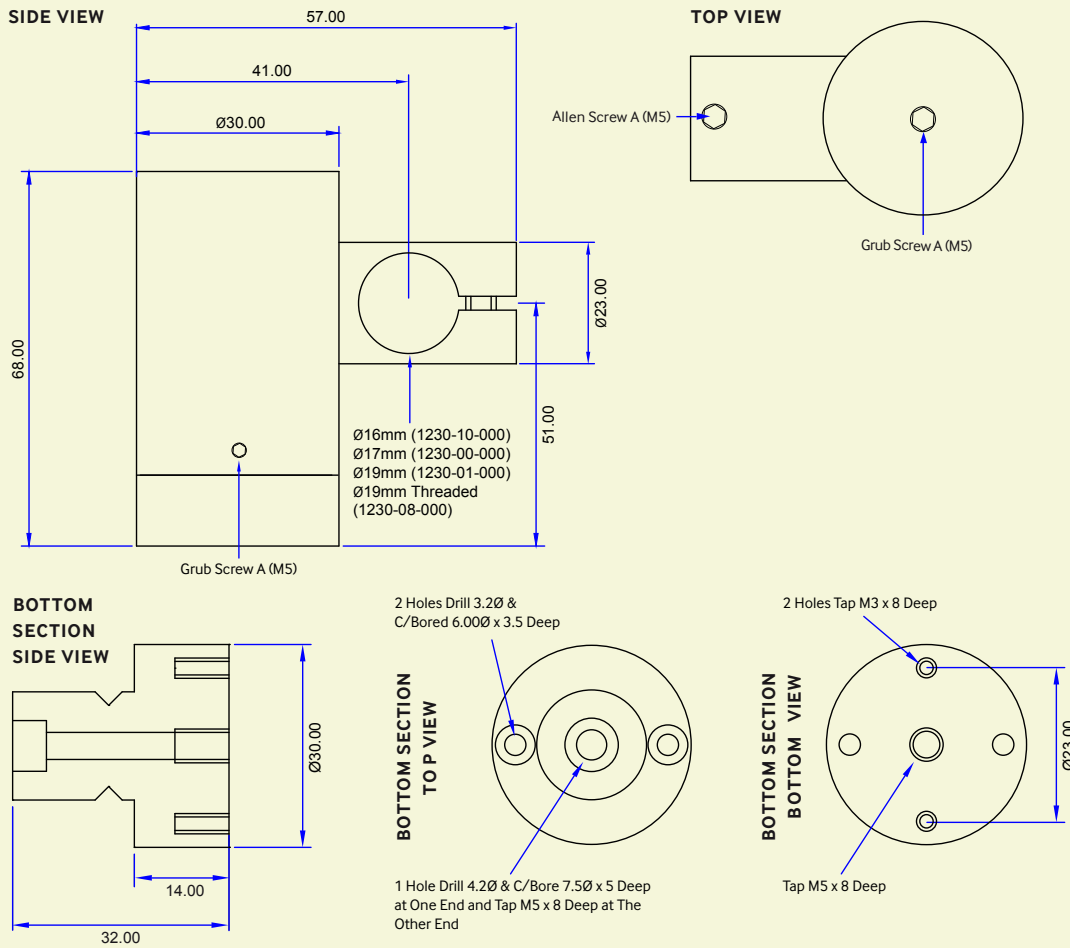
Mounting Clamp Ø7mm



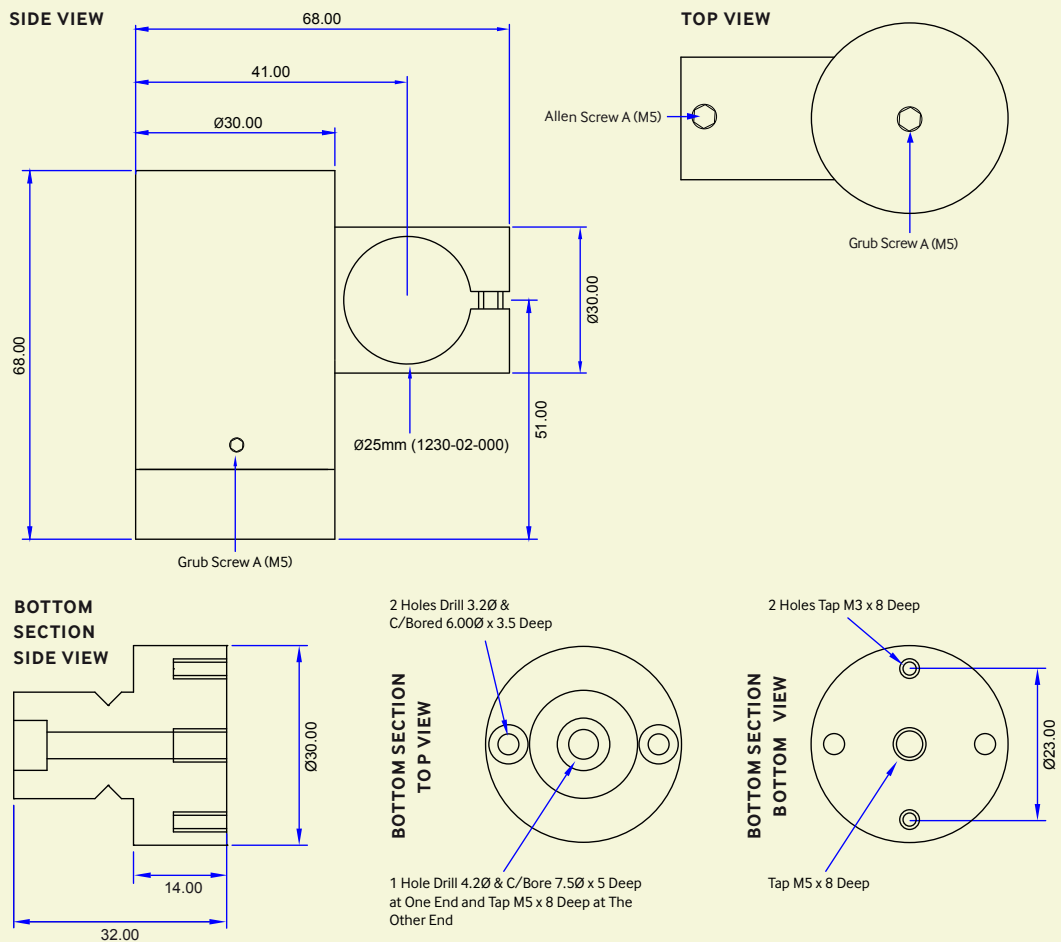
Mounting Clamp Ø11,14 & 15mm



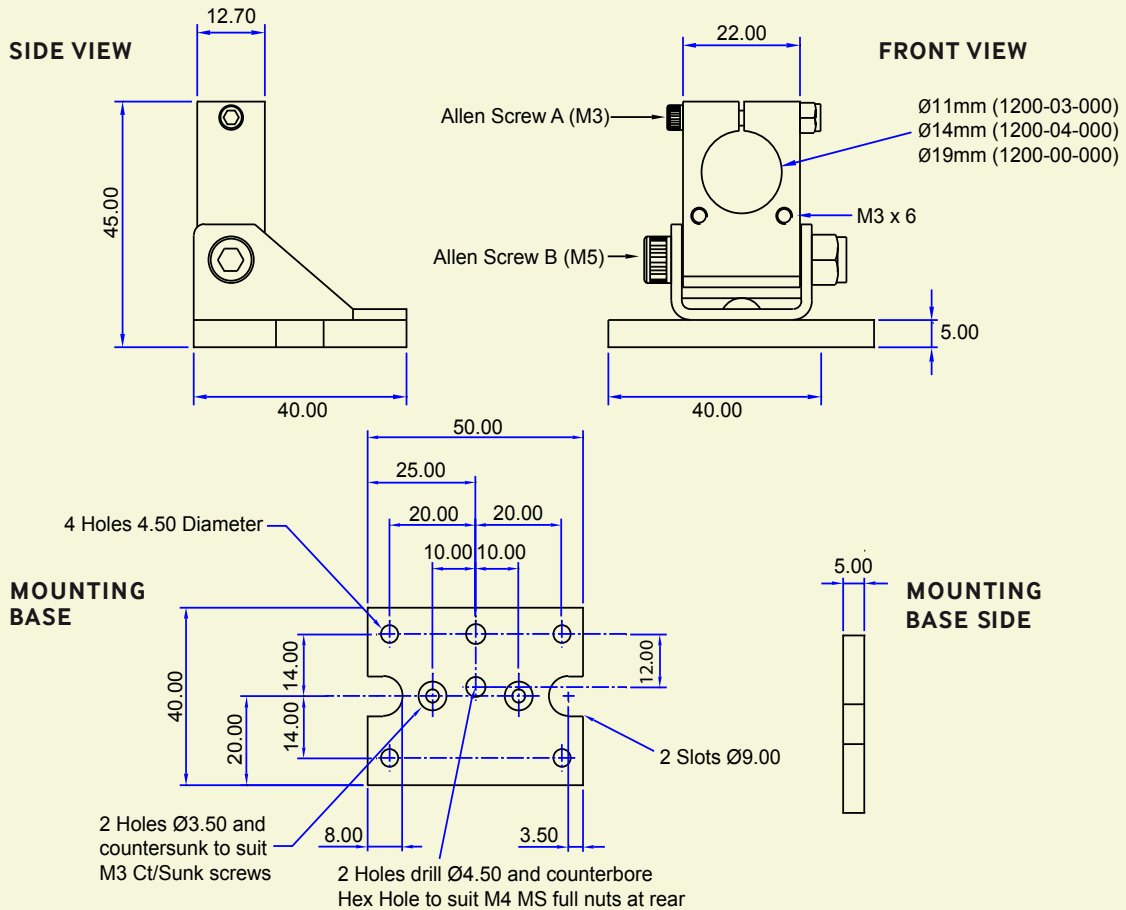
Mounting Clamp Ø16, 17 & 19mm



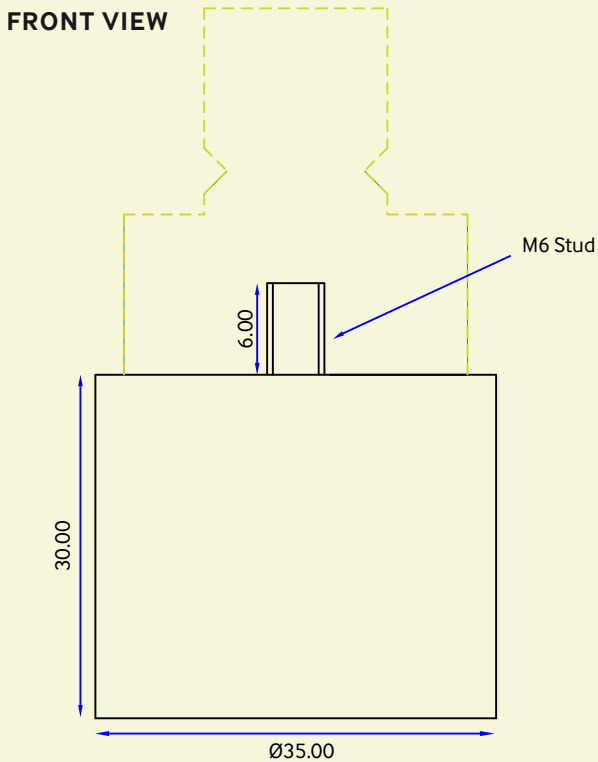
Mounting Clamp Ø25mm



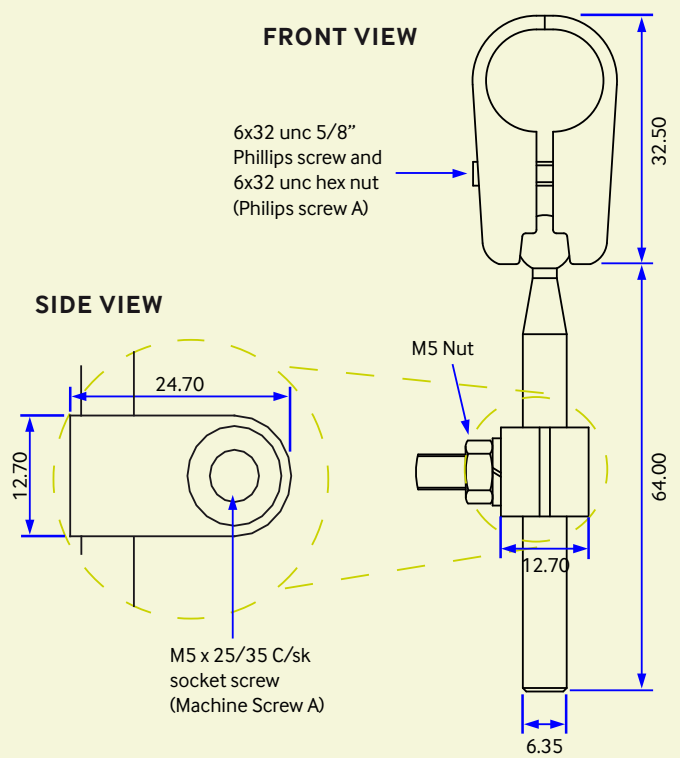
Swivel Mounting Clamp



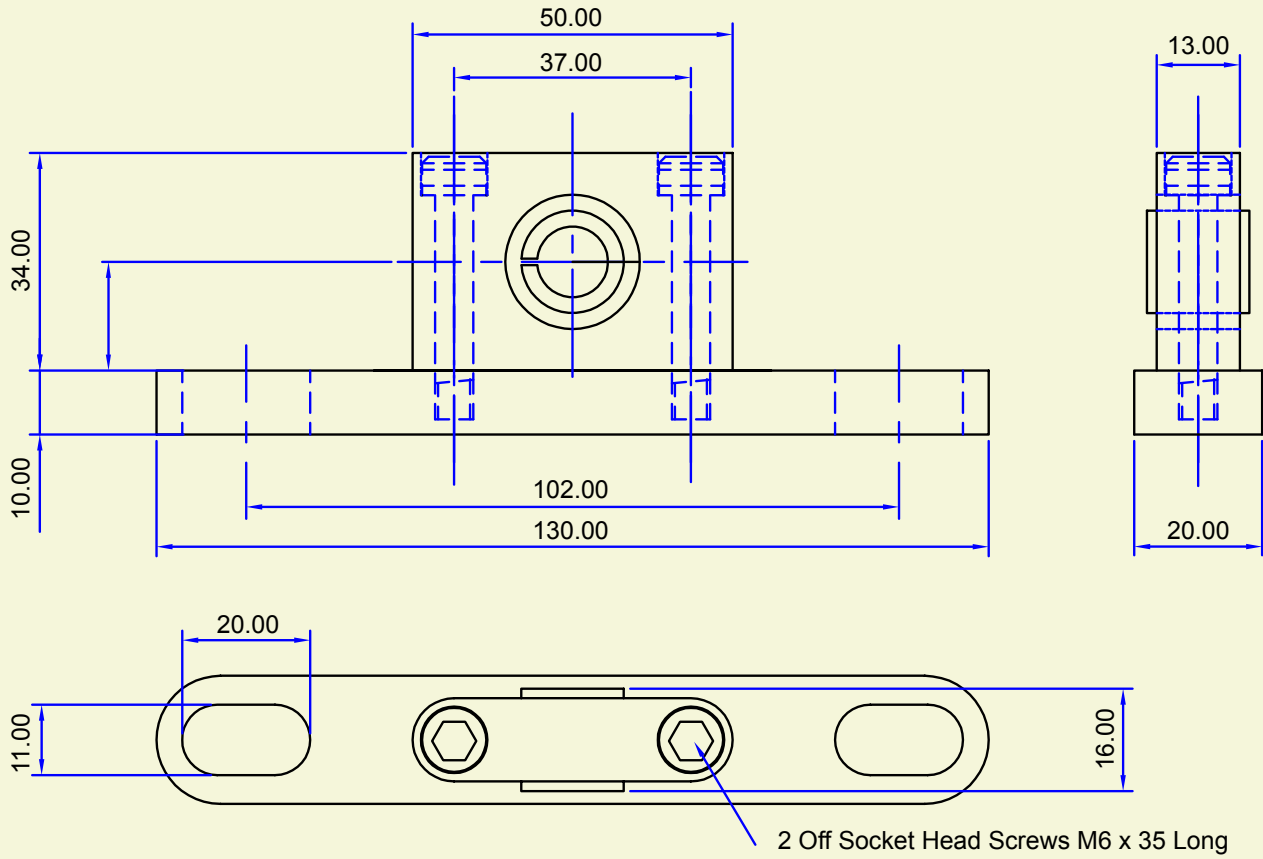
Magnetic Base



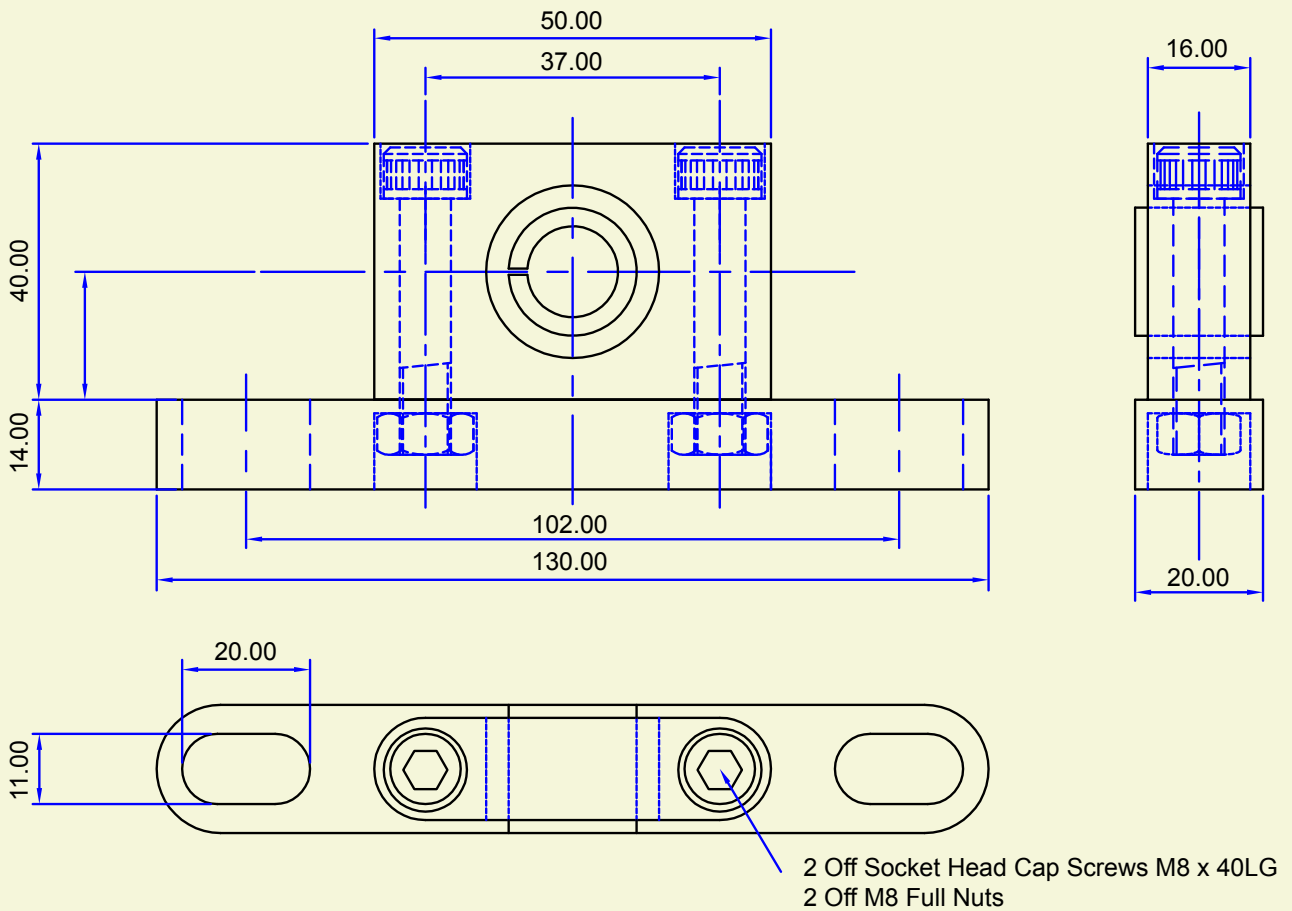
MK1 Mounting Clamp



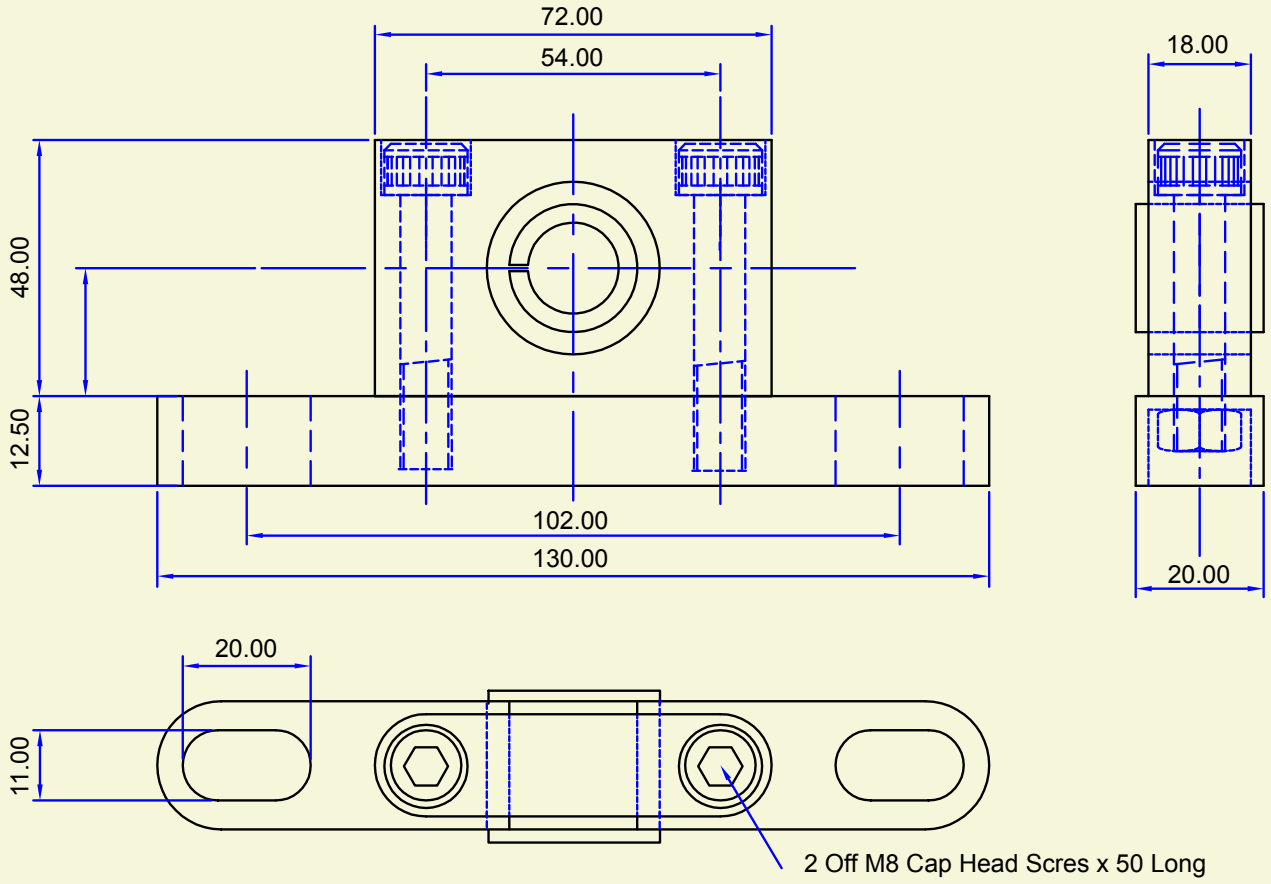
Pillow Block Bearing Mount Ø11mm & M12



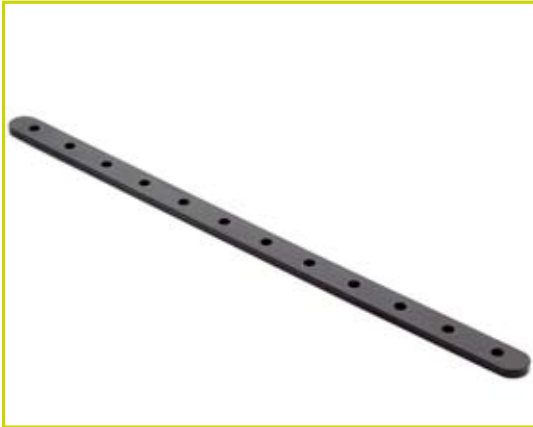
Pillow Block Bearing Mount Ø14, 15 & 16mm



Pillow Block Bearing Mount Ø17, 19mm & M18



Mounting Brackets



B12

30cm/12" metal mounting bracket with M5 holes at regular intervals.



B6

15cm/6" metal mounting bracket with M5 holes at regular intervals.



B4

10cm/4" metal mounting bracket with M5 holes at regular intervals.

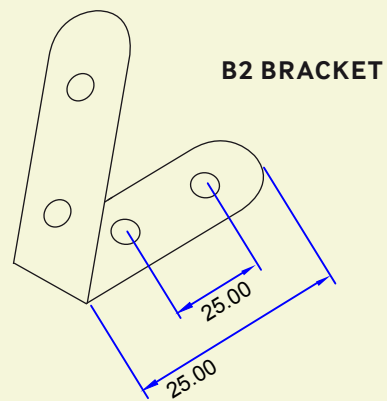
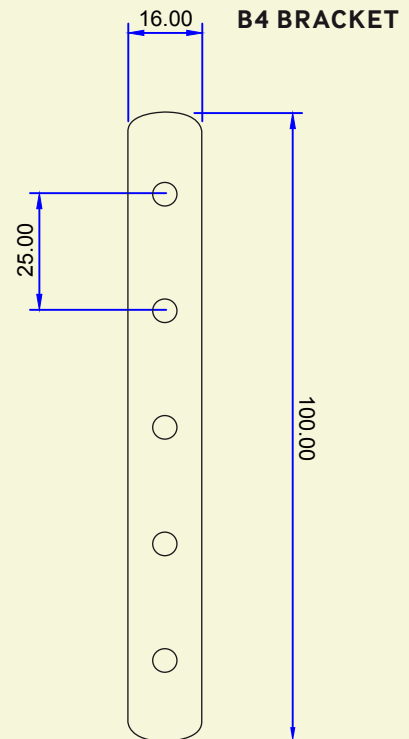
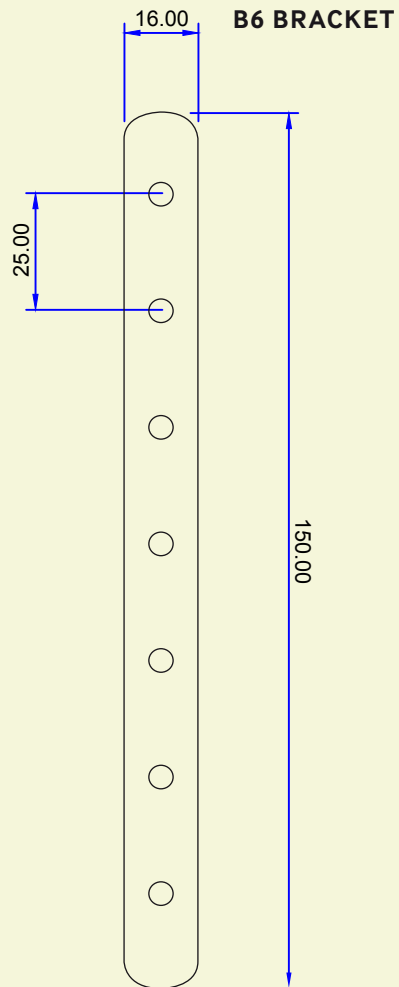
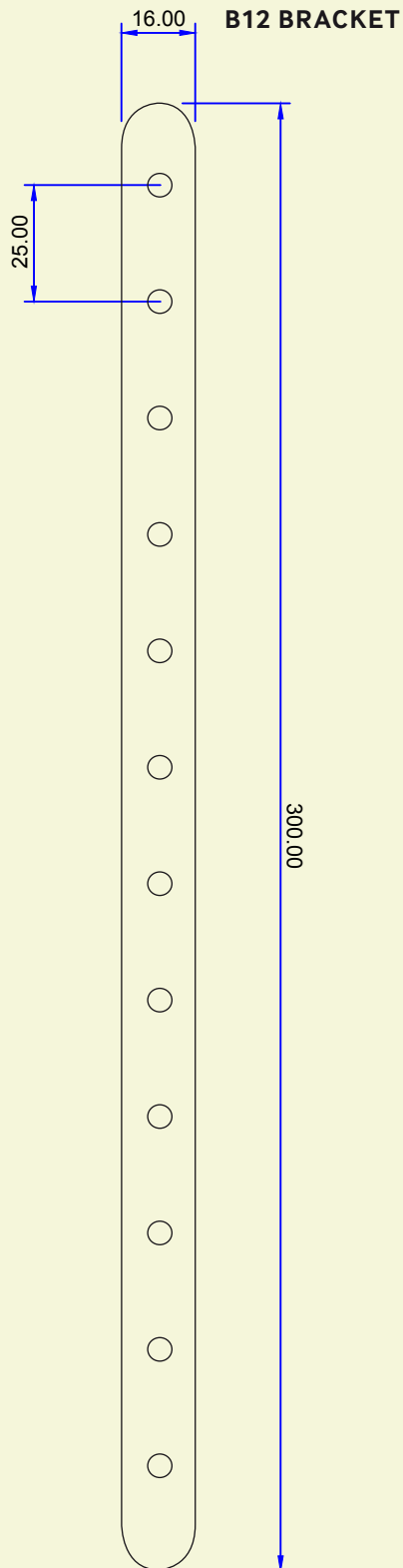


B2

Right angles 10cm/4" metal mounting bracket with M5 holes at regular intervals.





Mechanical Drawings

Mounting Brackets



Mains Power Supplies

A range of mains power supplies are available for powering our lasers (for compatibility see table below). The PS-1 & PS-4 range run on 110-240Vac input via an IEC mains lead (supplied) and has the benefit of a power on LED indicator. An optional key switch allows the power supply output to be switched on/off at the power supply. The PS-1 has one output to power one laser and the PS-4 has four outlets to power four lasers. All our power supplies are CE marked. A wide range of cables to connect the laser module to the power supplies are also available, please see the product datasheet for more detail. You can also contact Global Laser or your local representative.

MODEL	DESCRIPTION	INPUT	OUTPUT	LED INDICATOR	OPTIONAL KEY SWITCH	COMPATIBLE WITH
	PS-1 Power Supply (Powers one laser)	110/240 Vac 50/60 Hz Via IEC connector with IEC Mains lead (UK, European or USA)	5.0 Vdc 1 Amp Female DC Jack	Yes	Yes	<ul style="list-style-type: none"> - LaserLyte - LaserLyte-Flex - GreenLyte - LDL175 - FireFly * - Lyte-MV - Lyte-MV-EXCEL
	PS-4 Power Supply (Powers four lasers)	110/240 Vac 50/60 Hz Via IEC connector with IEC Mains lead (UK, European or USA)	5.0 Vdc 1 Amp Female DC Jack	Yes	Yes	<ul style="list-style-type: none"> - Greenlyte-MV-EXCEL* - GuideLine - Lyte-MV- 2 (See Note 1)
	PS-1 Power Supply (Powers one laser)	110/240 Vac 50/60 Hz Via IEC connector with IEC Mains lead (UK, European or USA)	10.0 Vdc 1 Amp Female DC Jack	Yes	Yes	<ul style="list-style-type: none"> - BlueLyte - Any Direct Drive Green Laser (515/520nm) - GuideLine-2 (See Note 2) - Lyte-MV-2 (See Note 2)
	PS-4 Power Supply (Powers four lasers)	110/240 Vac 50/60 Hz Via IEC connector with IEC Mains lead (UK, European or USA)	10.0 Vdc 1 Amp Female DC Jack	Yes	Yes	

NOTES

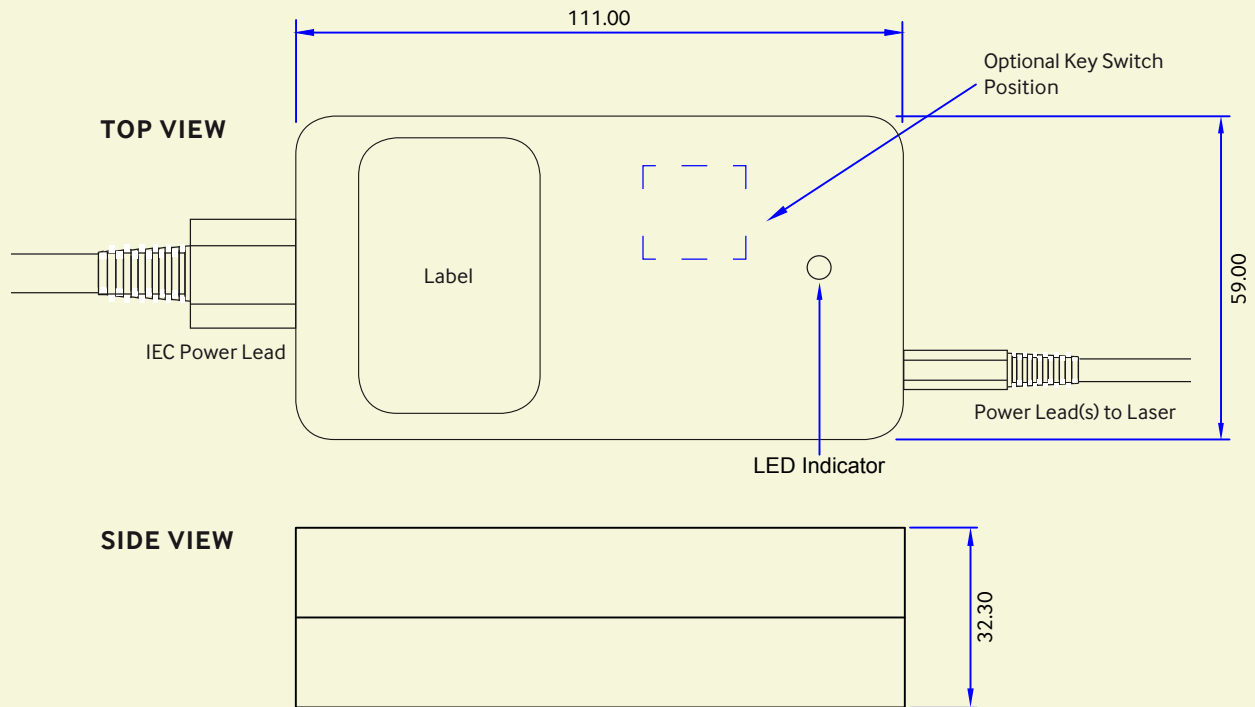
* Current can vary between models. Please contact us for more information if being used with a PS-4.

Note 1 - 5V models

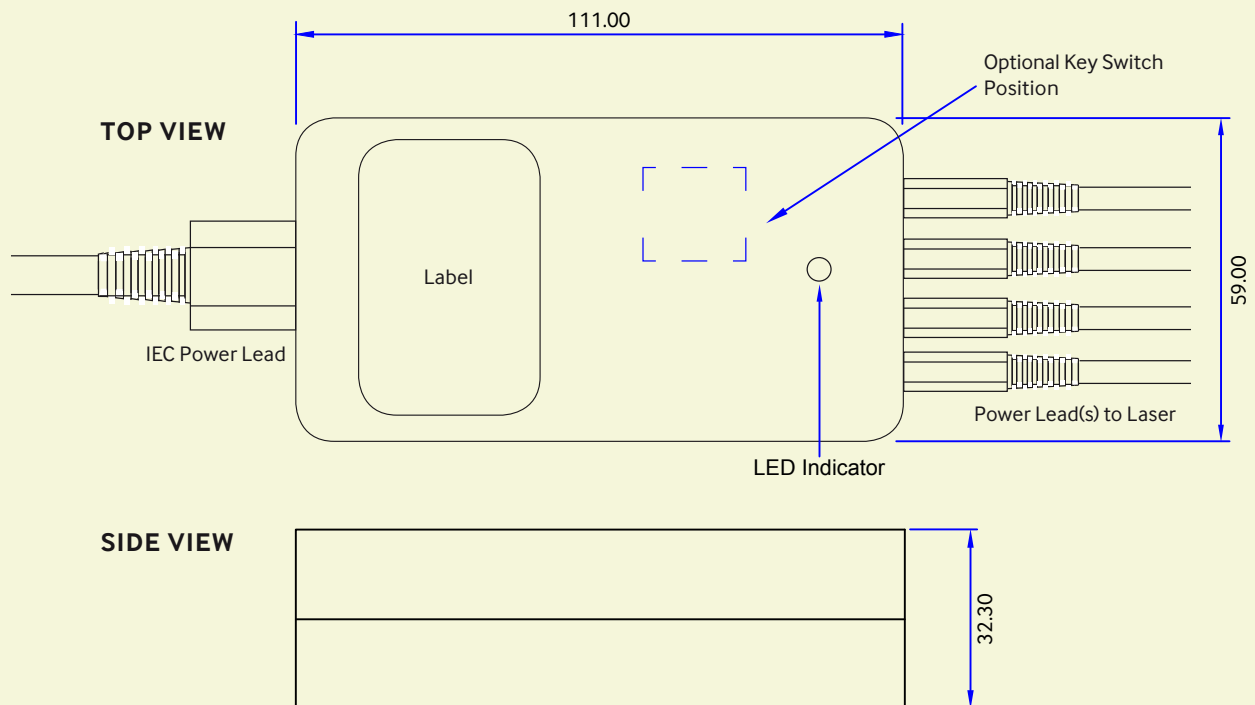
Note 2 - 24V models

Mechanical Drawings

PS-1 and Key Switch Version



PS-4 and Key Switched Version



Battery Box Power Supplies

The Battery Box from Global Laser provides a power source for applications where it is impractical to provide a permanent power source. Housed in a compact ABS box and operates from three AA industrial batteries (4.5V Models) or eight industrial AAA batteries (12V Models). Up to 70 hours of laser operation can be provided (model dependent). A 2.5mm DC Jack connector is fitted which is compatible with a wide range of Global Laser products. An on/off switch allows the user to control laser diode modules output and battery lifetime. The batteries can be replaced by simply removing four screws and removing the lid of the box.

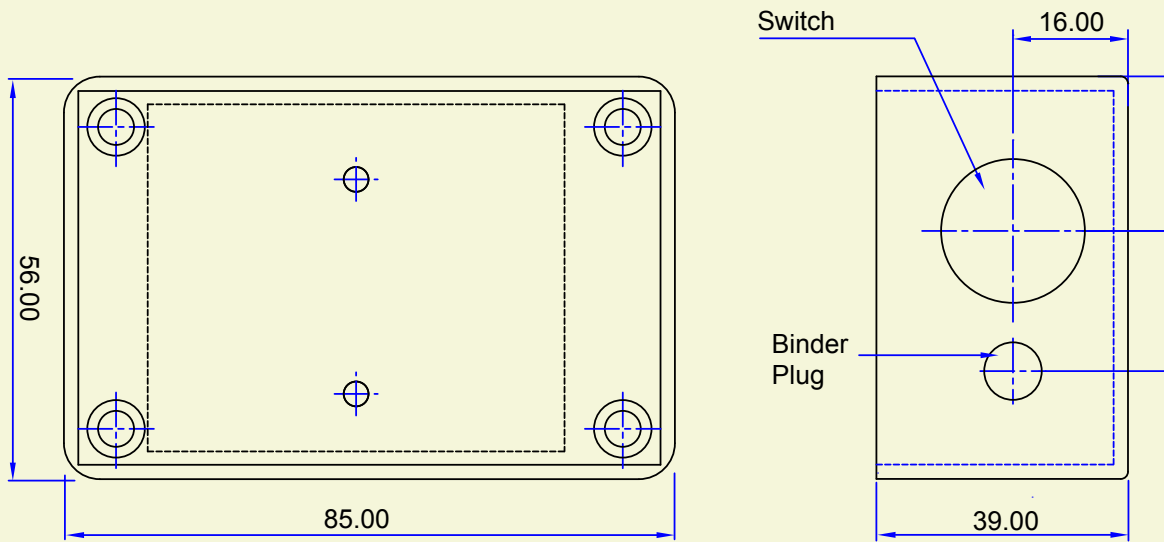
To add to the Battery Box range two additional models are available which have the added benefit of being able to control laser diode modules power control. The advantage of this is being able to control the output power of the laser diode module when combined with any of Global Lasers range of modules fitted with an LC or Analogue power control.

The output power can be controlled via a potentiometer fitted to the top of the box. This allows the user to adjust the laser output power between off and the maximum factory set output power. Values in between are linear. The output is via a 4pin M8 binder plug and a cable to connect the laser diode module to the battery box. These are available as separate items. Please refer to the Battery Box Datasheet from more information.

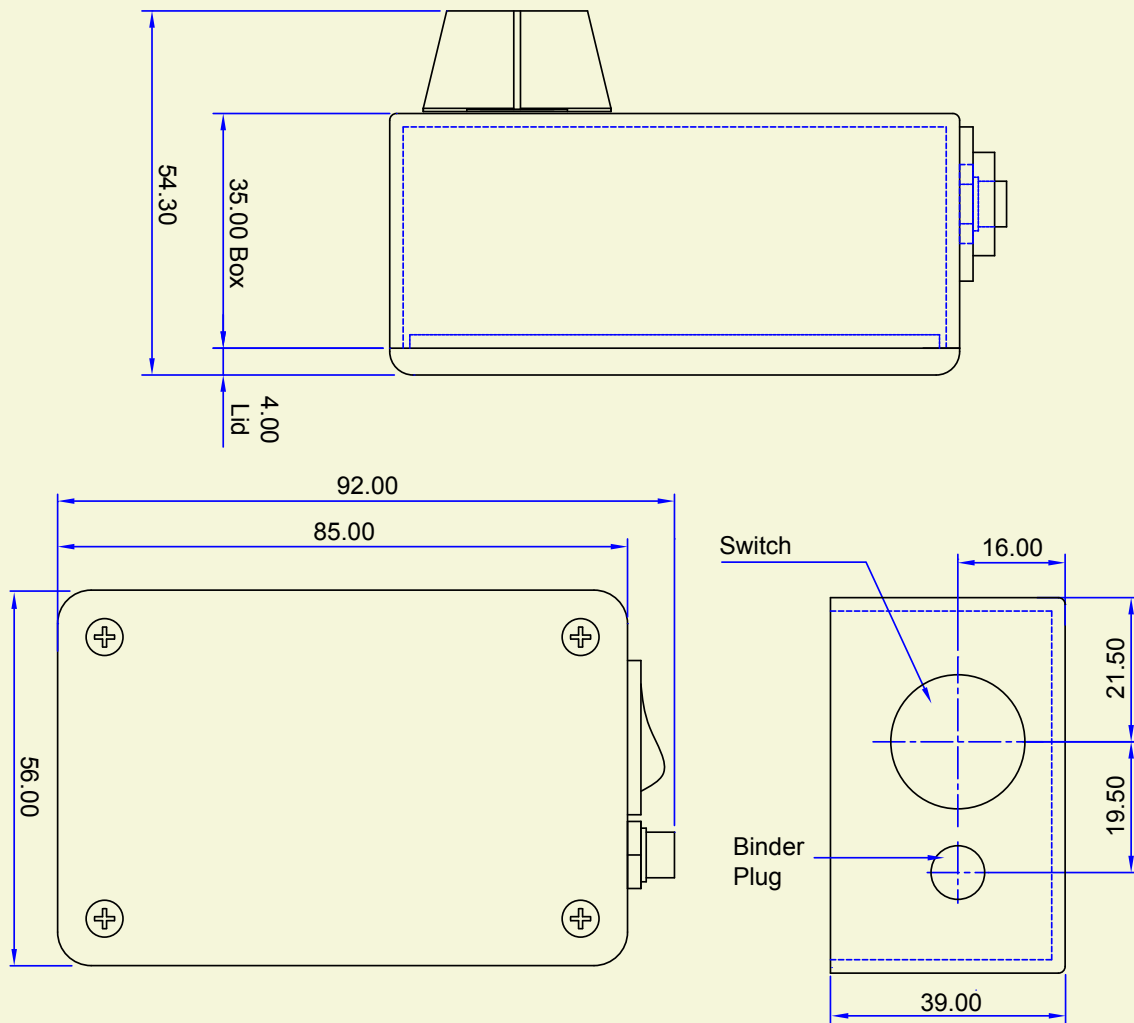
MODEL	DESCRIPTION	INPUT	OUTPUT	LED INDICATOR	ON/OFF SWITCH	COMPATIBLE WITH
	4.5V Battery Box Power Supply (Powers one laser)	AA Type 1.5V 1500mAH x3	4.5 Vdc Female DC Jack	No	Yes	Red & IR Models
	4.5V Battery Box Linear Power Supply (Powers one laser)	AA Type 1.5V 1500mAH x3	4.5 Vdc 4 Pin M8 Binder Connector	No	Yes	Red & IR Models with Linear Control
	12V Battery Box Power Supply (Powers one laser)	AAA Type 1.5V 1150mAH x8	12 Vdc Female DC Jack	No	Yes	Blue & Green Models
	12V Battery Box Linear Power Supply (Powers one laser)	AAA Type 1.5V 1150mAH x8	12 Vdc 4 Pin M8 Binder Connector	No	Yes	Blue & Green with Linear Control

Mechanical Drawings

Battery Box Power Supply - 4.5V & 12V



Battery Box Power Supply Linear Control - 4.5V & 12V



Tubular Mounting System

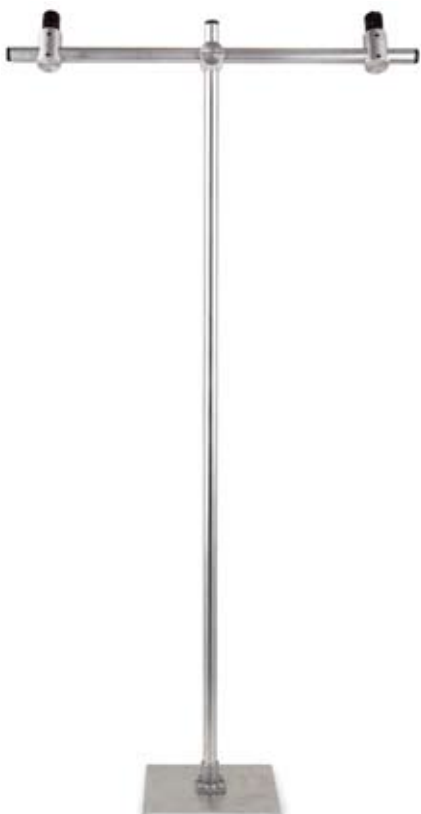
The tubular mounting system from Global Laser provides a versatile solution for mounting laser diode modules above workstations, table saws, cutting tables and many other applications.

The robust systems comprises of an aluminium $\frac{3}{4}$ inch tube which can be floor, ceiling or wall mount via a metal base. The base allows the bar to rotate by 360° . A laser mount/s can be fixed to this bar which allows the angle of the laser diode module to be vertical adjusted via the mount. The mount can also be rotated by 360° around the bar and moved vertically in relation to the bar.

A second aluminium $\frac{3}{4}$ inch tube can be mounted perpendicular to this which is both vertical and horizontally adjustable. Upon this a laser mount/s can be fitted allowing vertical and horizontally adjustable of the laser module itself.

Tube length can be customized and laser module mounting clamps for the majority of Global Laser product range are available. A set of cable clamps are also supplied which each systems to allow users to clamp the laser diode modules power cables to the tube section of the mounting system.

Examples of the possible set ups are shown below.



"T" Tube Set Up



Single Tube Set Up



"L" Tube Set Up

For more information please refer to the Tubular Mounting Datasheet.

Notes

Please note: Global Laser Ltd reserve the right to change descriptions and specifications without notice.

For further information about any of our products please contact your local distributor or you can contact Global Laser in the UK.
Your Local Distributor Is:



9090-05-029 Rev 14 17/08/2020

T: +44 (0)1495 212213
F: +44 (0)1495 214004
E: sales@globallasertech.com
www.globallasertech.com

Global Laser Ltd
Unit 9-10
Roseheyworth Business Park
Abertillery, Gwent NP13 1SP UK